

ORIGINAL INSTRUCTIONS

***RVMP-FlexPower 5500ies/5500iesR
Silent Inverter Generator***

RVMP-220476/RVMP-220476-R

OPERATION'S MANUAL



Read this manual carefully before operation.
This manual includes important guidance for safety operation.

This Manual contains important safety information and instructions for operating this generating set. **PLEASE READ THIS MANUAL CAREFULLY.** Failure to do so could result in property damage and/or personal INJURY/DEATH.

Provide this manual to any operator of this generating set. This manual should be considered as a permanent part of your generating set and should remain with it when you sell it.

All pictures & figures are only one example of series generating set. It shall be only for reference and perhaps there will be difference between pictures & figures and physical products.

All information in this publication is based on the latest product information available at the time of printing. We reserve the right to change, alter and/or improve the product and this document at any time without notice and without incurring any obligation.

No part of this publication shall be reproduced without written permission.

Write down the generating set's serial number and purchase information. Keep this manual and the receipt for future reference.

Model:

Serial number:

Date of purchase:

Contents

I. Operator safety	1
1. Safety rules	1
II. Getting started	6
1. Unpacking.....	6
2. Usage of pull rod.....	6
3. Features and Controls.....	8
III. Instructions for use	13
1. Operating checklist	13
2. Starting the generating set.....	19
3. Connect to electrical devices	22
4. Stopping the generating set.....	24
IV. Maintenance	25
1. Maintenance schedule	25
2. Generating set maintenance.....	26
3. Engine maintenance	27
V. Trouble-shooting	32
VI. Storage and transportation	33
VII. Specification	34
1. Specification parameter table	34
2. Wiring diagram	35

I. Operator safety

1. Safety rules



Pay attention to this safety alert symbol. Obey all safety messages that followed by this symbol to avoid possible property damage, INJURY or DEATH.

Each safety message is preceded by a safety alert symbol and one of three words, DANGER, WARNING, or CAUTION.

DANGER

Indicates a hazardous situation which, if not strictly complied with, will result in substantial property damage, serious injury or DEATH.

WARNING

Indicates a hazardous situation which, if not strictly complied with, may result in property damage, serious injury or DEATH.

CAUTION

Indicates a hazardous situation which, if not strictly complied with, could result in property damage or injury.



WARNING

READ THIS MANUAL COMPLETELY BEFORE OPERATING.

DO NOT operate this generating set until you have read ALL safety, Operation, and maintenance instructions listed in this manual.

Failure to follow the instructions may result in property damage, INJURY or DEATH.

The warnings and precautions discussed in this manual cannot cover all possible conditions and situations that may occur. It must be understood by the operator that common sense and caution are factors which cannot be built into this product, but must be possessed by the operator.

WARNING

This product is a home generator and an air-cooled generator cannot run full time. It is prohibited to modify this generator without authorization or use it in an unsuitable place.

⚠️ WARNING

Before each use, check for loose or damaged parts, signs of oil or fuel leaks, and any other condition that may affect proper operation.

Repair or replace all damaged or defective parts immediately.

Locate all operating controls and safety labels.

Make sure all the safety instructions are in right and working condition. Operate only on level surfaces.

DO NOT expose generating set to excessive moisture, dust, or dirt.

Keep all safety guards in place and in proper working order at all times.

DO NOT allow any material to block the cooling slots.

DO NOT allow children or untrained persons to operate the generating set.

DO NOT run the generating set unattended. Turn off the generating set before leaving the area.

Allow 0.9 meter of space around the generator to ensure good cooling.



⚠️ DANGER

MOVING PARTS

Moving parts may cause serious injury. Keep hands and feet away from moving parts.

When the generator is in operation, do not cover or wrap it or remove the protective device.

Moving parts may cover hands, feet, hair, clothing, etc., and may cause traumatic amputation or serious fracture.

Please tie up your long hair.

Do not wear loose, shaky and other clothing that may be drawn into the generator.



⚠️ WARNING

RECOIL

Rapid retraction of the starter cord will pull hand and arm towards the engine faster than you can let go.

Unintentional startup can result in accident.

 **WARNING**

Lithium batteries are maintenance free. In case of any faults, please contact your local dealer. It is forbidden to handle it by yourself.



 **WARNING**

HOT SURFACE

Running engines produce heat. Severe burns can occur on contact.

DO NOT touch engine while operating or just after stopping. Avoid contact with hot exhaust gases.



 **DANGER**

FIRE OR EXPLOSION

Gasoline is highly flammable and extremely explosive.

Fire or explosion can cause severe burns or death.

Keep flammable items away while handling gasoline.

Fill fuel tank outdoors and in a well-ventilated area with the engine stopped.

Always wipe off spilled fuel and wait until the fuel has dried before starting the engine.

DO NOT operate the engine with known leaks in the fuel system.

Use proper fuel storage and handling procedures.

DO NOT store fuel or other flammable materials nearby.

Empty the fuel tank before storing or transporting this generating set.

Keep fire extinguisher handy and be prepared if a fire starts.



WARNING

FIRE

Operation of this engine may create sparks that can start fires around flammable material.

This engine may not be equipped with a spark arresting muffler. If the engine will be used around flammable materials, or on land covered with materials such as agricultural crops, forest, brush, grass, or other similar items, then an approved spark arrester must be installed.

In some area, a spark arrester is required by law.

Please contact local fire agencies for laws or regulations relating to fire prevention requirements.



Flammable materials can catch fire when they come into contact with hot surfaces. Do not place flammable objects within 1.5 meters.



DANGER

ELECTRIC SHOCK

The generator generates high voltages and currents that will cause death during running.

The generator must be properly grounded. If the generator is not properly grounded, it may cause electric shock, especially if the generator is equipped with wheels. Please contact the electrician for local regulations regarding generator grounding.

Grounding installation should be performed by a qualified electrician. Improper grounding may result in death due to electric shock.

To reduce the danger of electric shock, do not use old, worn, bare, or any defective or damaged wires.

Do not touch exposed wires or sockets.

Please keep the generator dry and do not use it in humid weather.

It is forbidden to operate the generator or touch the wires while standing in water, or with bare feet, or with wet hands or feet.

It is forbidden for children or untrained persons to operate or maintain the generator.

When using generator as standby power, notify the power grid. Use an approved transfer switch to isolate the grid from the generator.

Do not connect the generator into the grid before the transfer switch is properly installed by the qualified electrician.



⚠ DANGER

TOXIC FUME

The exhaust gas from the engine contains many colorless, odorless and poisonous gases such as CO and NO compounds. Running the engine indoors will cause poisoning and even death.

Do not use the engine in buildings or any other enclosed environments, even if the doors and windows are open.

Place the generator in a well-ventilated area, and pay attention to the wind direction and airflow.

II. Getting started

1. Unpacking

Remove the generator from the packaging box.

- Place the packaging box on a solid and flat surface.
- Carefully cut each corner of the packaging box from top to bottom. Lay each side open and flat on the ground.
- Remove all accessories except the generator from the packaging box.

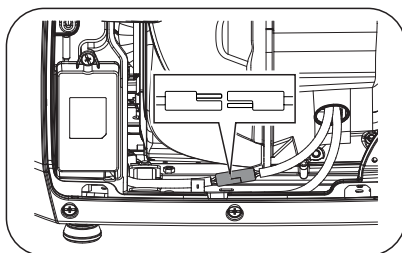
The following steps apply to electric start.

Connect the battery cable before the first use.

Unscrew the fixing bolt on the right maintenance panel and remove the maintenance panel.

Connect the battery harness, put the right maintenance panel back in place, and tighten the bolts.

Also, make sure that the combination switch lever is not pressed down by the right maintenance panel when installing the right maintenance panel back into place.



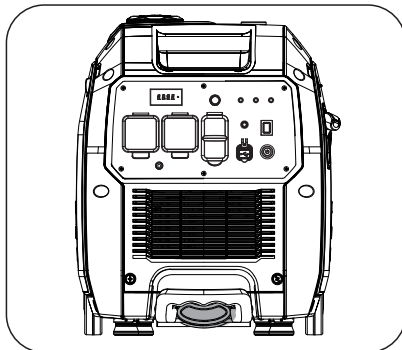
2. Usage of pull rod

CAUTION

Make sure the generator is placed on a level ground before using the pull rod.

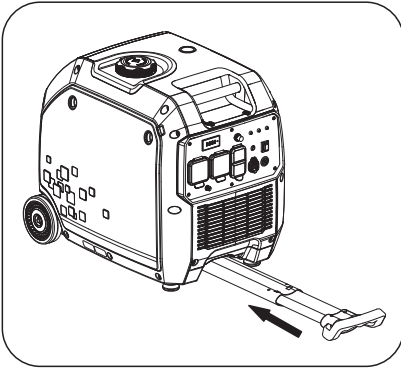
Using the pull rod

After the pull rod button is pressed, the telescopic pull rod will pop out automatically; hold the lever and pull out the pull rod. The pull rod makes a "click" sound indicating that the pull rod has been pulled out completely, and in this case, the generator can be moved.

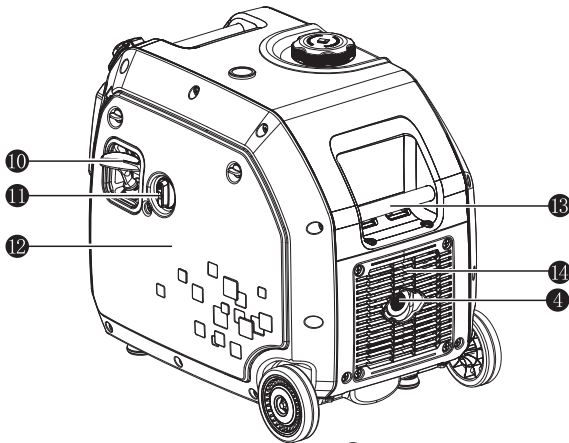
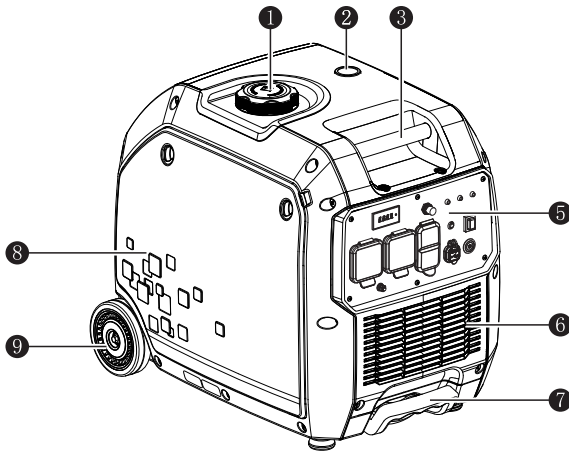


Pull rod reset

Press the pull rod button and hold the lever, push it inward towards the generator to the original position until the pull rod makes a “click” sound, indicating that it has been reset.

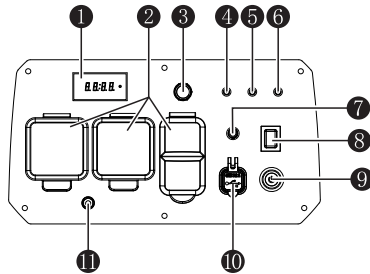


3. Main features and controls



- ① Fuel tank cap
- ② Fuel level indicator sight glass
- ③ Front lift handle
- ④ Silencer
- ⑤ Panel assembly
- ⑥ Air inlet shutter
- ⑦ Lever
- ⑧ Left maintenance panel
- ⑨ Wheels
- ⑩ Start handle
- ⑪ Combination switch (run, shut-off, and flameout)
- ⑫ Right maintenance panel
- ⑬ Rear lift handle
- ⑭ Silencer shutter

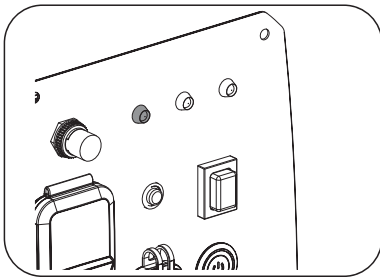
Panel assembly



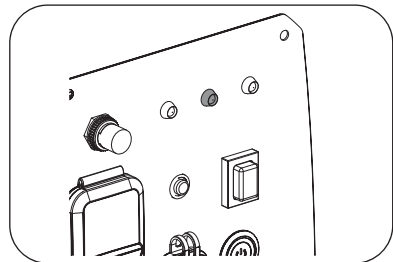
- | | |
|-------------------------|-----------------------------|
| ① VFT | ② AC output |
| ③ Overcurrent protector | ④ Running indicator |
| ⑤ Overload indicator | ⑥ Oil alarm lamp |
| ⑦ Reset button | ⑧ Energy-saving switch |
| ⑨ Push button | ⑩ USB port |
| ⑪ Ground terminal | ⑫ Oil level indicator light |

Running indicator (green)

The running indicator lights up when generating set starts and has normal output.



will stop the output of generating set to protect the electric equipment and the generating set itself. At this time, the running indicator (green) is off and the overload indicator (red) is on, but the engine is still in running state.



Overload indicator (red)

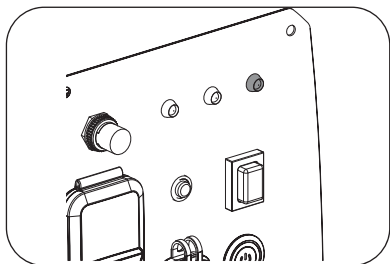
When the overload indicator is on, it indicates that the generating set is overload and it may cause overheating of frequency converter, or increase of AC voltage. And then the AC protector works. It

When the generating set has no output and the overload indicator is on, please take the following steps:

1. Lower the total power of the connected electric devices to the rated output range of generating set.
2. Check the air intake for impurities and check the control parts for abnormal situation. Handle immediately if necessary.
3. Press the reset button.

Oil alarm lamp (yellow)

When the oil level drops below the lower limit, the oil protection system will stop the engine automatically and oil alarming lamp will blink by pulling the recoil starter. The engine will not run until the oil has been filled to the proper level.

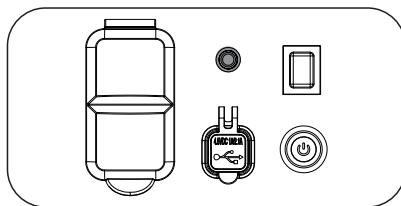


Note: If engine flames out or fails to start, turn the Combination switch to “RUN” position and then pull the recoil starter. If the oil alarming lamp lights up, it shows lack of oil. Please add appropriate oil and restart the engine.

Reset button

When the generator produces overload protection without output, reduce the load and then gently press the reset button to restore the output.

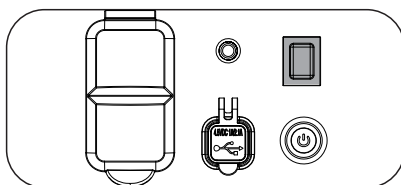
In normal use, press the reset button to switch the display of voltage, frequency, running time, etc.



Energy-saving switch

When the energy-saving switch is in the “ON” position, the generator will intelligently control the engine speed according to the connected load, to reduce fuel consumption and noise.

When the energy-saving switch is in the “OFF” position, the engine runs at the rated speed regardless of whether the load is connected.

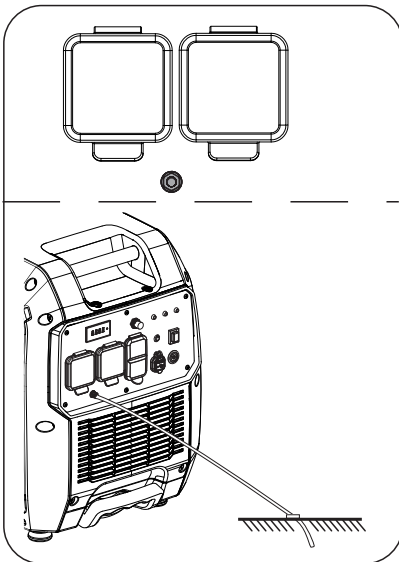


NOTE:

When using equipment with high start current (such as air compressor, submersible water pump, etc.), please turn the energy-saving switch to the "OFF" position.

Ground stud

A cable shall be used to connect the ground stud to the ground to avoid electric shock due to failure of the device. Before using the generator, make sure that the ground wire is connected.

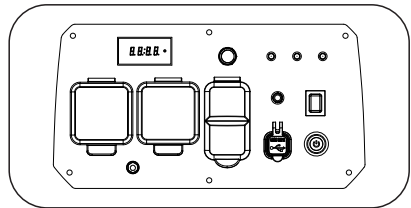


Overcurrent protector

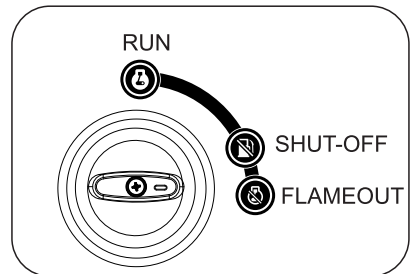
When the generator is overloaded or overheated for a long time, the overcurrent protector will disconnect the

output; in this case, please re-reduce the load or run it under no load for a few minutes, and then press the overcurrent protector button to restore the output.

Note: the overcurrent protector is relevant to the operating current, ambient temperature and other factors, so the protection time will be different.



Combination switch



RUN

The generator works normally.

SHUT-OFF

The supply of fuel in the fuel tank stops, the generator is still running and burning off the excess fuel in the pipe before shutdown.

⚠ CAUTION

If the generator will not be in use for a short time, please enable this function, or you can also unscrew the drain bolt of the carburetor to discharge the fuel in the fuel cup from the generator.

Flameout

The generator stops working.

⚠ CAUTION

After the load is removed from the generator, please run the generator under no load for 3 minutes to balance the temperature, and then activate the flameout function.

III. Instructions for use

1. Operating checklist

1 Operation place

Applicable to use outdoors only. Please place the generator in a well-ventilated area.

The generator must be placed on a firm and flat surface in a well-ventilated place with clean and dry surrounding environment for operation.

Use the generator only within the scope of application of it. If you are unclear about the scope of application of the product, please consult your local distributor.

In some specific locations and areas, the use of the generator must meet some additional terms or regulations, please consult your local dealer.



⚠ DANGER

TOXIC GAS/FUME

LPG contains harmful substances such as hydrogen sulfide and carbon dioxide. When the gas of these harmful substances is inhaled by the human body, it will cause

coma, vomiting and other positive phenomena or death.

The exhaust gas of the engine contains CO. Use indoors may lead to death!

It is forbidden to operate the engine in a building or other enclosed environments, even if the doors and windows are open.

When before the generator, make sure that the generator is in a well-ventilated place and clean up the area around it. Careful consideration shall be given to wind direction and air flow for arrangement of the generator.

High altitude

To ensure proper operation of the generator at high altitudes, it may be necessary to equip the carburetor with a high altitude kit. If the generator is always used in areas with an altitude of more than 1500 m, consult your local dealer for high altitude kit information.

⚠ CAUTION

Using a high altitude carburetor kit at altitudes below 1500 m may cause the engine to be overheated, causing serious damage to

the engine. When using generator in low altitude areas, restore the carburetor to factory specifications at the dealer.

⚠ CAUTION

Even if the carburetor is modified, the power of the generator will decrease with the increase of altitude, and the power will decrease by 3.5% for an increase of every 300 meters. If the carburetor is not modified, the altitude height will have a greater impact on power.

2 Operation place

Inspect parts for looseness or damage, check oil or fuel for leaks, or check other conditions that may affect the proper functioning of the generator. All damaged or defective parts shall be repaired or replaced without delay.

Clean the dirt or foreign matters on the surfaces around the air inlet, vent and recoil starter of the generator.

The generator should not be moved or tipped over during operation.

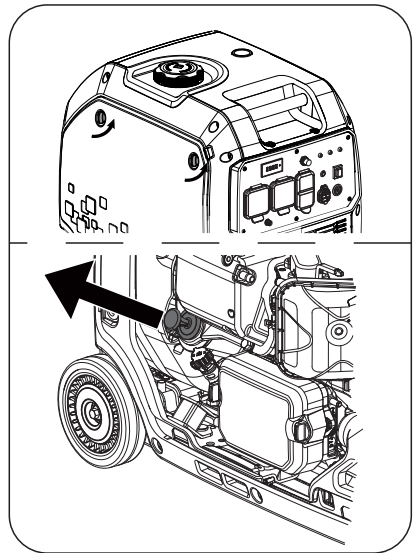
⚠ WARNING

Problems identified must be corrected before running the generator, otherwise it will result in property damage, and even serious personal injury or death.

3 Inspect the engine oil

Before the generator runs, place the generator horizontally and check the oil level.

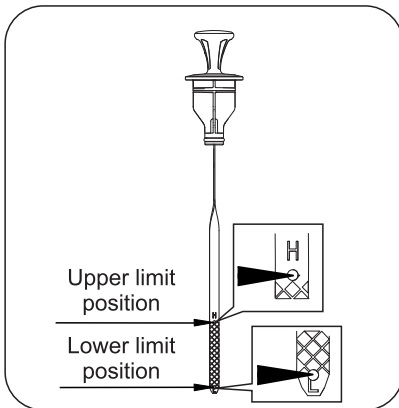
Remove the left maintenance panel after unscrewing the fixing bolt.



Remove the oil dipstick and wipe it clean.

Insert the dipstick into the filler, taking care to insert the entire dipstick to the bottom, then pull it out again, observe the dipstick and check the oil level. The amount of oil shall be within the upper and lower limits of the dipstick scale.

If the oil level is too low, add the recommended oil to the upper limit of the dipstick.



Install the dipstick and left maintenance panel in place again.

Please learn more about **oil filling** in the **maintenance section**.

Oil level: 0.85 L

Recommended grade of engine oil: SAE10W-30

⚠ CAUTION

Run the generator only on a flat surface.

The engine is equipped with an engine oil alarm, when the oil level is below the lower limit, the generator will automatically shut down.

To avoid inconvenience caused by unexpected shutdown, please add the oil to the upper limit position and check the oil level regularly.

⚠ WARNING

Please use the 4-stroke engine oil recommended in the section "Maintenance" as oil is an important factor affecting the performance and service life of a generator.

⚠ WARNING

The engine is not filled with oil before delivery. Any attempt to rotate the crankshaft or start the engine before incorrectly adding the oil of recommended grade and capacity may cause permanent damage to the engine and void the product warranty.

4 Operation place

Inspect the fuel level before starting the generator. Please add fuel if necessary.

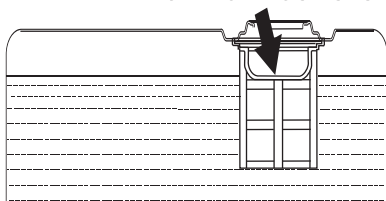
Use fresh and clean unleaded gasoline.

Do not mix oil and fuel.

Do not add oil or fuel above upper limit. In order to leave room for the gasoline to volatilize.

Fasten the fuel tank cap. If the fuel overflows, please wipe the fuel with a clean cloth.

Maximum fuel level



Fuel level: please refer to the specification sheet for details.

⚠ CAUTION

A certain amount of pressure will be formed in the fuel tank due to the volatilization of gasoline. Let the generator cool down for at least 2 minutes before removing the fuel tank cap. Slowly loosen the fuel cap to release the pressure in the fuel tank.



⚠ DANGER

FIRE OR EXPLOSION

Gasoline is a flammable and explosive substance.

Do not fill the fuel tank with fuel indoors or when the generator is running or at high temperature.

Filling the fuel tank with fuel should be done outdoors and in a well-ventilated environment with the generator shut down.

At the end of each refueling, the overflowing fuel should be wiped off.

Regularly inspect the fuel system for damage or leakage. Do not run the generator when there is a leak in the fuel system.

Use appropriate fuel storage units and storage measures. It is forbidden to store fuel or inflammable materials near it.

Please provide the fire extinguisher nearby for use in case of fire.

⚠ CAUTION

When filling the fuel tank with fuel, the filling amount should not exceed the upper limit. Overfilling may lead to unstable operation of the

engine, even flameout, damage to the canister (if equipped), and void warranty.

Do not use engine cleaners or carburetor cleaners in the fuel tank as they may cause permanent damage. Avoid deposition of colloids in fuel system components (e.g. carburetor, fuel filter, fuel pipe or fuel tank) during storage. Experience has shown that alcohol-blended fuels (so-called alcohol gasoline, including ethanol or methanol) absorb moisture during storage, which leads to decomposition and formation of acid liquor. Acidic fuels will damage the fuel system of the generator. Please read carefully the relevant requirements for "Storage".

Gasoline-alcohol blended fuel: The fuel with volume ratio of 10% alcohol and 90% unleaded gasoline is usable. Gasoline and alcohol mixture of other mixing ratios shall not be used.

Engine damage caused by the use of spoiled, failed or contaminated fuel will not be covered by the warranty.

CAUTION

In order to minimize colloid deposits in the fuel system and ensure start-up, please add the appropriate fuel according to the usage. Please do not continue to use fuel left over from the last use.

CAUTION

The generator shall be cooled for at least 2 minutes before opening the fuel tank cap for refueling. Slowly loosen the fuel cap to relieve pressure in the fuel tank.

5 Operation place

Before starting the generator, disconnect the electrical device from the generator and turn off the circuit breaker.

It may be difficult to start the generator after the electrical device is connected.

The electrical device to be connected must not exceed the maximum power range of the generator. Refer to the specification sheet for details.

The generator must be properly grounded.

Grounding inside the generator or the electrical device will help prevent electric shock, especially if the generator is wheeled.

Static electricity can easily accumulate in ungrounded devices, and proper grounding can also help eliminate static electricity.



⚠ DANGER

ELECTRIC SHOCK

A generator that is not properly grounded may cause electric shock.

The ground terminal has been set up on the generator. For remote grounding, a large copper wire $\geq 6 \text{ mm}^2$ shall be used between the generator ground terminal and the good ground terminal.

Different regions may also have specific generator grounding requirements. Users are strongly advised to consult the dealer for further information.

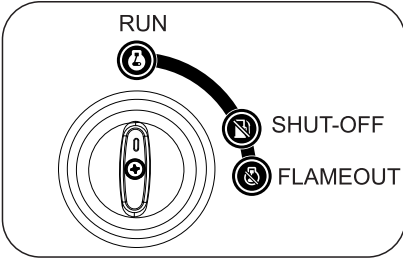
2. Starting the generator

1

Before use, perform the “Inspection items before use” and remove all loads.

2

Turn the combination switch to “RUN” position.



3

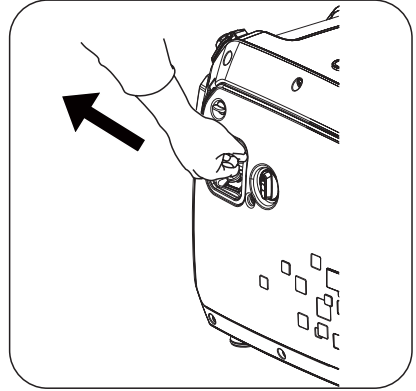
Select according to the actual configuration of the user

Recoil start:

To start the generator, hold the handle of the recoil starter and pull it slowly until there is resistance and then quickly pull the handle to start the generator.

⚠ WARNING

Please check the condition of the starter rope before use. If the rope is seriously worn, please replace it at the authorized local dealer in time.



⚠ WARNING

RECOIL

When the recoil starter retracts quickly after start-up, the hand and arm will be pulled toward the engine faster.

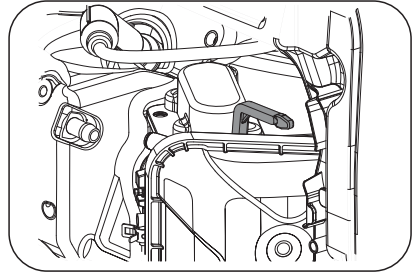
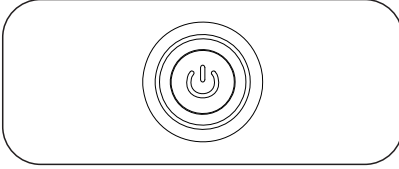
Unpreparedness may result in accidental injury.

⚠ CAUTION

During start-up, the choke may be affected by temperature or other factors and may require different openings.

Start by push button

Press the push button once to start the generator.



⚠ CAUTION

After the generator is used for a period of time, if the push speed of the motor decreases, it means that the battery needs to be replaced. Before shutting down the generator, ensure that the combination switch in “Flameout” position, to prevent battery power loss, which may affect the next start.

If the generator still fails to be started or is shut down after three attempts, find the cause of the fault and eliminate it.

The engine oil alarm prevents the generator from being started when the oil level in the crankcase is below the lower limit.

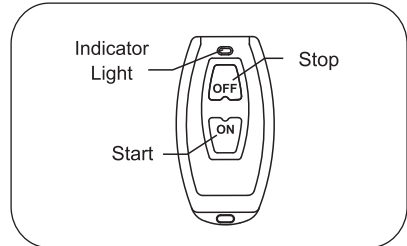
Before the operation, please do a routine inspection of the oil. The recommended maintenance interval can be found in the maintenance section.

⚠ CAUTION

When the generator can not be started through the electric start, please open the left maintenance panel, and start the generator through the choke handle and the start handle together.

Wireless remote control

(If applicable)



Press and hold the “ON” key for 1 second and release it to start the generator.

If it fails to start, the generator will restart by itself. If it fails to start after repeated 5 times, please allow the generator to cool for 1 minute and start again.

NOTE: Sometimes the generator can take a few attempts to start in cold weather. If machine does not start in the first 10 seconds, wait for 30 seconds before attempting again.

If the motor turns a little then stops when you press the Start key, it may indicate a low battery. Charge the battery before operation or start by recoil start.

⚠ WARNING

Remote transmitter and generator learning

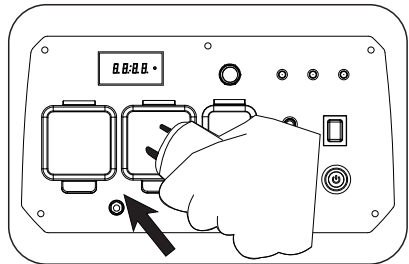
The generator and the remote controller have been successfully matched at the factory, and users do not need to perform matching when use.

If you need to re-match the remote transmitter, press and hold the start button for 5S and release, then press the “ON” button of remote control transmitter for 1S, if the generator starts, the remote transmitter is successfully matched.

4

After completing the above operations, the generator can be connected to the electrical devices.

When the electrical devices require high initial power, please turn the energy-saving switch to “OFF” position. When no more initial power is needed, please turn the energy-saving switch to “ON” position. It is recommended to refer to the “Power Reference Table” on page 25.



⚠ WARNING

When the generator output terminal is connected to the electrical device and the electrical device is on, it is prohibited to start or shut down the generator.

⚠ CAUTION

Do not continue to start the generator before the fault is removed.

It is forbidden to start the generator after using other batteries without authorization.

3. Connecting electrical device

- a. Inspect whether the power cord is damaged before use. If the cord is deformed, such as deformation and incisions, it will lead to the risk of electric shock.
- b. Confirm that the generator is grounded. If the electric device requires grounding, the generator must be grounded.
- c. Ensure that all electrical devices are turned off.
- d. After the generator is started, let it run for a few minutes to allow it to warm up to a steady state.
- e. Confirm the connection and then turn on the electric device you expected.
- f. Before stopping the generator, please turn off the electrical device or disconnect the output.
- g. If the generator provides power to more than one electrical devices, start each electrical device according to the size of the load, from small to large.

DANGER

If the connected device is overheated, please shut down the device immediately and disconnect it from the generator.



DANGER

ELECTRIC SHOCK

In order to reduce the danger of electric shock, do not use aging, worn or exposed wires with electric shock danger.

It is prohibited to touch exposed wires or plugs.

It is prohibited to operate the generator or electric wire in the water or with bare feet, or with wet hands or wet feet.

Load capacity

It must be ensured that the generator is capable of providing sufficient power to meet the required operating power and initial power of all electrical devices powered at the same time. Calculate the required operating power and initial power according to the following steps.

- a. Select the electrical devices to be supplied with power simultaneously.
- b. The operating power is equal to the sum of the power of all the electrical device that need to be supplied with power.
- c. Initial power refers to the short-term peak power required by the electrical device during starting. Because not all

electrical devices are started at the same time, the initial power can be evaluated by summing the power obtained in step 2 and the highest additional peak power of all electrical devices.

⚠ WARNING

Exceeding the load capacity of the generator will damage the generator and its connected electrical devices.

⚠ WARNING

It is necessary to equip with circuit protector or switch to isolate the generating set from the electric utility when the generating set is mainly used for backup. Failure to isolate the generating set from the power utility may result in injury or death to electric utility workers and damage to the generating set due to back feed of electrical energy.

Wattage Reference Chart

Electric equipment		Rate power(W)	Starting power(W)
Appliances	Tablet TV 27"	80	100
	Energy saving lamb	5-50	5-50
	Electric cooker	1000	1000
	Computer	250	250
	Electric fan	50	100
	Washing machine	250	500
	Refrigerator	50	300
	Air-conditioner	1600	3200
Electric tooling	Electric hammer	1000	1500
	Impact Hammer	3000	6000
	Water pump	2200	5000
	Electric welding machine	5000	7500
	Air compressor	5000	10000

4. Stopping the generating set

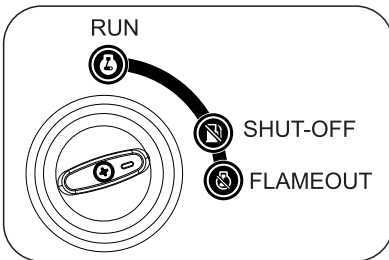
Turn off the electrical devices and then unplug all the electrical device plugs from the panel.

⚠ WARNING

Do not turn off the generator while the electrical device is connected and working.

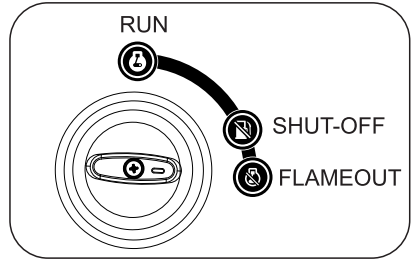
1

Turn the combination switch to “SHUT-OFF” position. Let the generator burn off the excess fuel in the fuel circuit, and the generator will be automatically shut down.



2

Turn the combination switch to “FLAMEOUT” position.



⚠ WARNING


The generator is idle for a long time:

If the generator needs to be idle for a long time, please turn the fuel cock to “Shut-off” position. Turn the combination switch to “Flameout” position until the fuel in the carburetor oil cup burns out and the generator has an automatic flameout.

If the combination switch is not turned to “Flameout” position and the battery is not in use for a long time, it will lose power, resulting in failure to start the generator normally.

IV. Maintenance

It is the operator's responsibility to complete all scheduled maintenance in a timely manner. Correct any issue before operating the generating set. Always follow the inspection and maintenance recommendations and schedules in this manual.

**⚠ DANGER**

Accidental starts can cause Severe injury or death. Remove the spark plug cap and ground generating set before performing any service.

⚠ WARNING

Improper maintenance or failure to correct a problem before operation can cause a malfunction and result in property damage, serious injury or DEATH.

Improper maintenance will void your warranty.

⚠ CAUTION

The filter element may contains PAHs, PAHs are harmful for your health. Please wear gloves for protection during air filter maintenance.

1. Maintenance schedule

Stop the generating set before servicing, disconnect all electric devices and battery (If equipped), and cool down the generating set completely.

Serve the generating set in a clean, dry and flat area, so that no accident would happen during the servicing. Please make the wheel in brake state to stop accidental movement of generating set.

Follow the service intervals indicated in the chart below. Service your generating set more frequently when operating in adverse conditions.

Contact your local authorized service dealer for your generating set or engine maintenance needs.

		Each time before use	The first month or 10 hours ^{note2}	Every three months or 50 hours ^{note2}	Every six months or 100 hours ^{note2}	Every year or 300 hours ^{note2}
Engine oil	Inspection	√				
	Replacement		√		√	
Air filter	Inspection	√				
	Cleaning				√ ^{note3}	
Spark plug	Inspection and adjustment				√	
	Replacement					√
Spark Extinguisher ^{note1}	Cleaning				√	
Idle speed	Inspection and adjustment					√ ^{note4}
Valve clearance	Inspection and adjustment					√ ^{note4}
Oil tube	Inspection	Every two years ^{note4}				

NOTE :

Note1: Applicable types (if available).

Note2: Before each season and after then (whichever comes first).

Note3: Service more frequently under severe, dusty, dirty conditions.

Note4: To be performed by knowledgeable, experienced owners or the authorized dealer.

2. Generating set maintenance

Use a damp cloth to clean exterior surfaces of the generating set. Use a soft brush to clean the dirt and oil.

Use compressed air (25 PSI) to clear dirt and debris from the generating set.

Inspect all air vents and cooling slots to ensure that they are clean and unobstructed.

⚠ WARNING

It is forbidden to tamper with the generator in any of the above ways.

It is forbidden to tamper with the inverter speed. The generator has been set to the correct rated frequency and voltage before delivery. Unauthorized tampering with the factory settings of the inverter will void your warranty.

⚠ WARNING

DO NOT use water to clean the generating set. Water can enter the generating set through the cooling slots and damage the generating set windings.

3. Engine maintenance

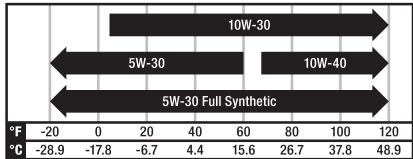
Engine oil

Only use four-stroke engine oil of SJ, SL or equivalent level which are in accordance with or higher than API standard.

Check the API label on oil bottle or other container, and make sure the "SJ, SL" or equivalent level letter is in the label.

SAE 10W-30 is recommended for general, all-temperature use. Other viscosities shown in the chart may be used when the average temperature in your area is within the indicated range.

Recommended Engine Oil Type



Ambient temperature

Oil capacity (rated):

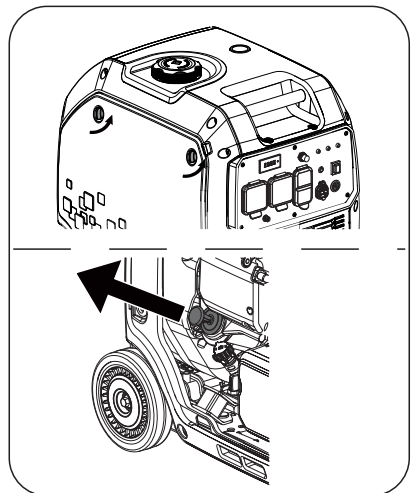
See parameters

Adding oil

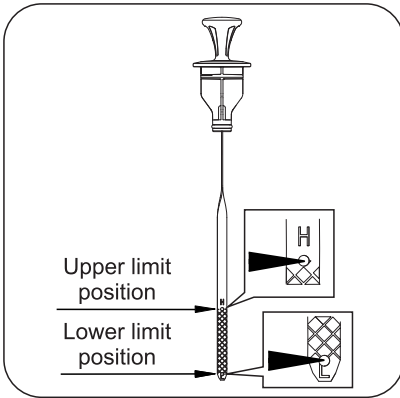
⚠ WARNING

The engine is not filled with oil before delivery. Any operation of the engine before the recommended type and volume of oil is not properly added will cause damage to the engine and void the warranty.

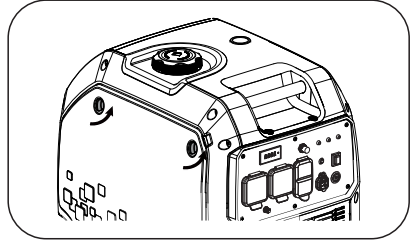
- Place the generator on a flat surface.
- Remove the left maintenance panel after unscrewing the fixing bolts.
- Remove the dipstick.



- Fill the recommended oil to the upper limit.



- a. Place the generator on a flat surface.
- b. Remove the left maintenance panel after unscrewing the fixing bolts.



⚠ CAUTION

Inspection of the filling scale mark

Insert the dipstick into the oil filler and hold it in the filler neck position. Do not insert the dipstick into the filler. Then take out the dipstick and check the dipstick oil level.

- c. Place the waste oil box under the generator drain pipe outlet, release the drain pipe and unscrew the pipe plug so that the generator completely drains the oil to be changed.

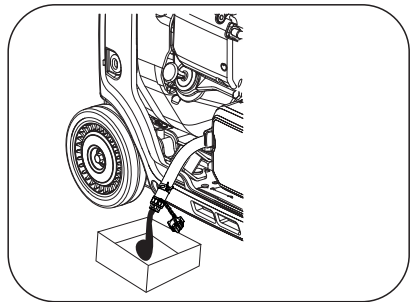
After draining the oil, refit the plug and drain pipe to their original positions.

- e. Install the dipstick back to its original position and fix the left maintenance panel with fixing bolts.

Change the oil

⚠ WARNING

When the generator is hot and the oil temperature is likely to exceed 100 °C, change the oil carefully to avoid scalding.

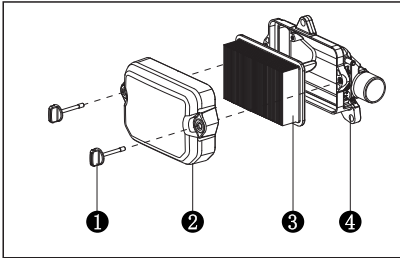


- d. Remove the dipstick and wipe it clean.
- e. Add the recommended oil to the upper limit of the dipstick.
- f. Install the dipstick back to its original position and fix the left

maintenance panel with fixing bolts.

g. Please use approved waste management facilities/ equipment to dispose of used oil.

Air filter



- ① Air filter fixing bolt
- ② Air filter cover
- ③ Paper air filter element
- ④ Air filter base

- a. Unscrew the fixing bolt and remove the air filter cover.
- b. Take out the paper air filter element.
- c. Inspect whether the whole paper filter element is damaged, and if damaged, please replace it in time.
- d. Tap the filter element gently to let the dust or debris attached to the filter element fall off.
- e. Install the filter element and air filter cover back into the base and fix them with fixing bolts.

⚠ WARNING

The air filter is a key part that affects the emission performance, and any form of modification is strictly prohibited.

It is prohibited to use the engine without installing or correctly installing the air filter, otherwise the engine will be seriously worn or damaged, and the product warranty will be void.

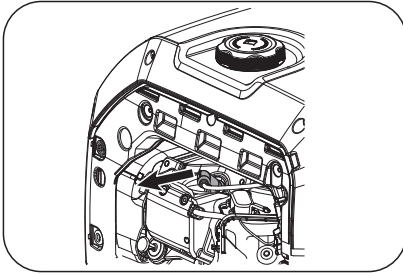
It is strictly forbidden to use organic solvent to clean the paper filter element, and to use compressed air to blow and clean it.

Spark plug

⚠ WARNING

Before repairing the spark killer, make sure that the engine has cooled down completely.

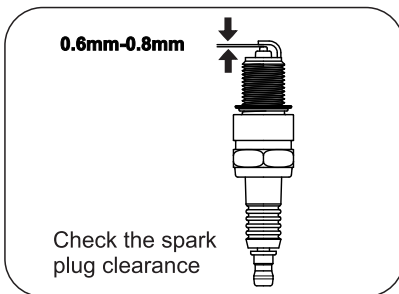
- a. Remove the left maintenance panel after unscrewing the fixing bolt.
- b. Clean the dirt around the spark plug cap and spark plug.
- c. Remove the spark plug cap and unscrew the spark plug with a special socket.



d. Observe the spark plug and spark plug washer for damage. If there is no damage, please clean it with a wire brush. If there is any damage, please replace it in time.

e. Inspect the spark plug clearance. If necessary, carefully bend one end of the electrode to adjust its clearance.

Spark plug clearance: 0.6 mm-0.8 mm



f. Carefully screw the spark plug thread into the engine by hand.

g. When the spark plug is fixed, tighten it firmly with a special socket for the spark plug.

Requirements for tightening torque of spark plug: 20~25 Nm

h. Attach the spark plug cap to the spark plug and connect the

spark plug wire to the spark plug.

⚠ WARNING

Use spark plugs of the recommended type or equivalent. It is forbidden to use spark plugs with improper calorific value range.

i. Install the left maintenance panel and fix it with fixing bolts.

Spark killer (If equipped)

a. Before repairing the spark killer, please allow the engine to cool down completely.

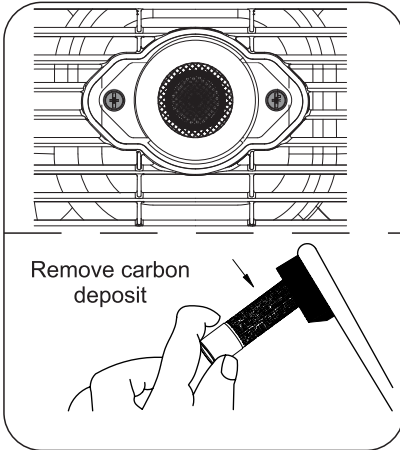
b. Use a magnetic tool to remove the set screws and attach the cover plate to the end of the spark killer and leave it in the silencer.

c. Remove the spark killer screen.

d. Carefully remove the carbon scale from the spark killer screen with a wire brush.

e. If the spark killer is damaged, please replace it in time.

f. Install the spark killer to the silencer and fix it with the two screws.



Speed

The speed has been pre-set at the factory and should rarely require readjustment. Consult your local authorized dealer for such needs.

⚠ WARNING

Unapproved adjustment will damage your engine and/or your electrical devices and void your warranty.

Adjustment

There has no other service and/or adjustment need for your generator.

Unapproved adjustments or tampering can damage your generator and your electrical devices and will void your warranty. Contact your local dealer for such needs.

⚠ WARNING

Tampering with the factory set governor will damage your generator and void your warranty.



V. Troubleshooting

Failure	Trouble	Solution
Generating set fails to start	Turn the combination switch to "FLAMEOUT" or "OFF" position.	Turn the combination switch to "RUN" position, and then start the generator according to start steps.
	Lack of fuel.	Fill the fuel tank with fuel in accordance with the instructions in this manual.
	Lack of engine oil.	Check oil level. This engine is equipped with a low oil sensor. The engine cannot be started unless the oil level is above the prescribed lower limit.
	No ignition.	Remove the spark plug cap. Clean the dirt around the spark plug base, and then remove the spark plug. Insert the spark plug into the spark plug cap. Turn the combination switch to "RUN" position. Pull the recoil starter and observe whether there is any electric spark between the spark plug clearance. Replace the spark plug if there is no spark. Follow the instructions in this manual to reinstall the spark plug and start the engine. If necessary, please consult your local dealer.
	Spark plug is splashed by fuel	Remove the spark plug and wipe the fuel.
	Low battery power (electric start)	Manually start the generator to charge the battery (time≥30 min).
Generating set has no output	Overload protection	Reconnect the circuit breaker or overcurrent protector.
	Mismatched cable installation or extension cable	Inspect the load-carrying capacity of the end face of the cable installation or extension cable. If necessary, please consult your local dealer.

VI. Storage and transportation

Storage

The generating set should be started at least once every 2 weeks and allowed to run for at least 20 minutes. Follow the instructions below for longer term storage if the generating set will be out of service for 2 months or more.



⚠ DANGER

FIRE OR EXPLOSION

Gasoline is a flammable and explosive substance. Before storing or transporting engine, the empty the fuel tank and close the fuel cock.

- a. Allow the generator to cool completely before storage.
- b. Clean the generator according to the instructions in the maintenance section.
- c. Drain all fuel in the fuel tank, pipe and carburetor to prevent the formation of colloids.
- d. Turn the combination switch to "Flameout" position and disconnect the fuel supply.
- e. Drain the oil.
- f. Remove the spark plug and pour 15 ml of fresh oil into the cylinder. Rotate the crankshaft slowly so that the oil is well distributed in the cylinder, thus lubricating the cylinder. Install the spark plug again.

- g. Disconnect the battery.
- h. Please store it in a clean and dry area away from direct sunlight.

Transportation

In order to prevent fuel leakage during transportation or storage of the generator for a short time, the generator should be in the normal operating position and fixed vertically, with the generator combination switch in "FLAMEOUT" position and the fuel cock in "OFF" position.

⚠ WARNING

When transporting:

Do not overfill the tank. Do not operate the generating set while it is on vehicle. Take the generating set off the vehicle and use it in a well-ventilated place. Avoid a place exposed to direct sunlight when putting the generating set on a vehicle. If the generating set is left in an enclosed vehicle for many hours, high temperature inside the vehicle could cause fuel to vaporize resulting in a possible explosion. Do not drive on a rough road for an extended period with the generating set on board. If you must transport the generating set on a rough road, drain the fuel from the generating set beforehand.

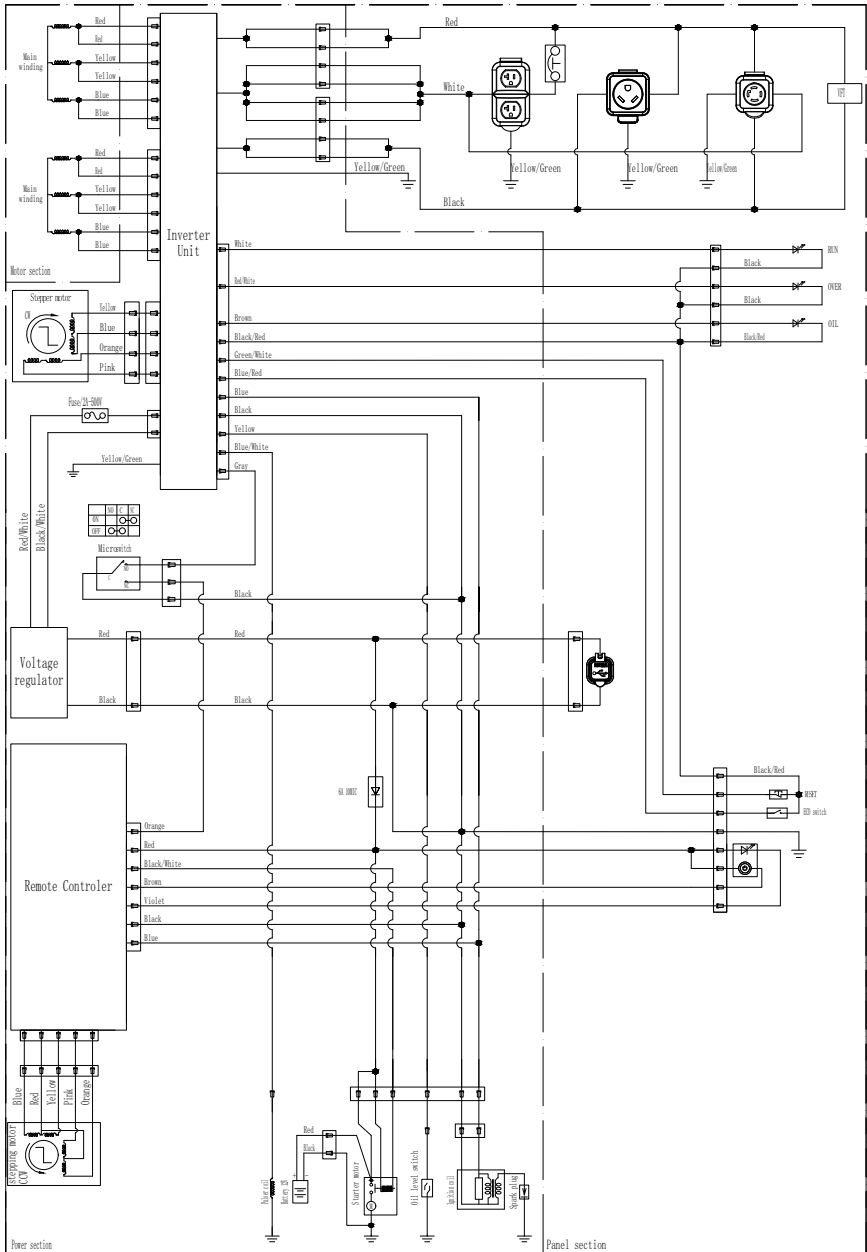
VII. Specification

1. Specification parameter table

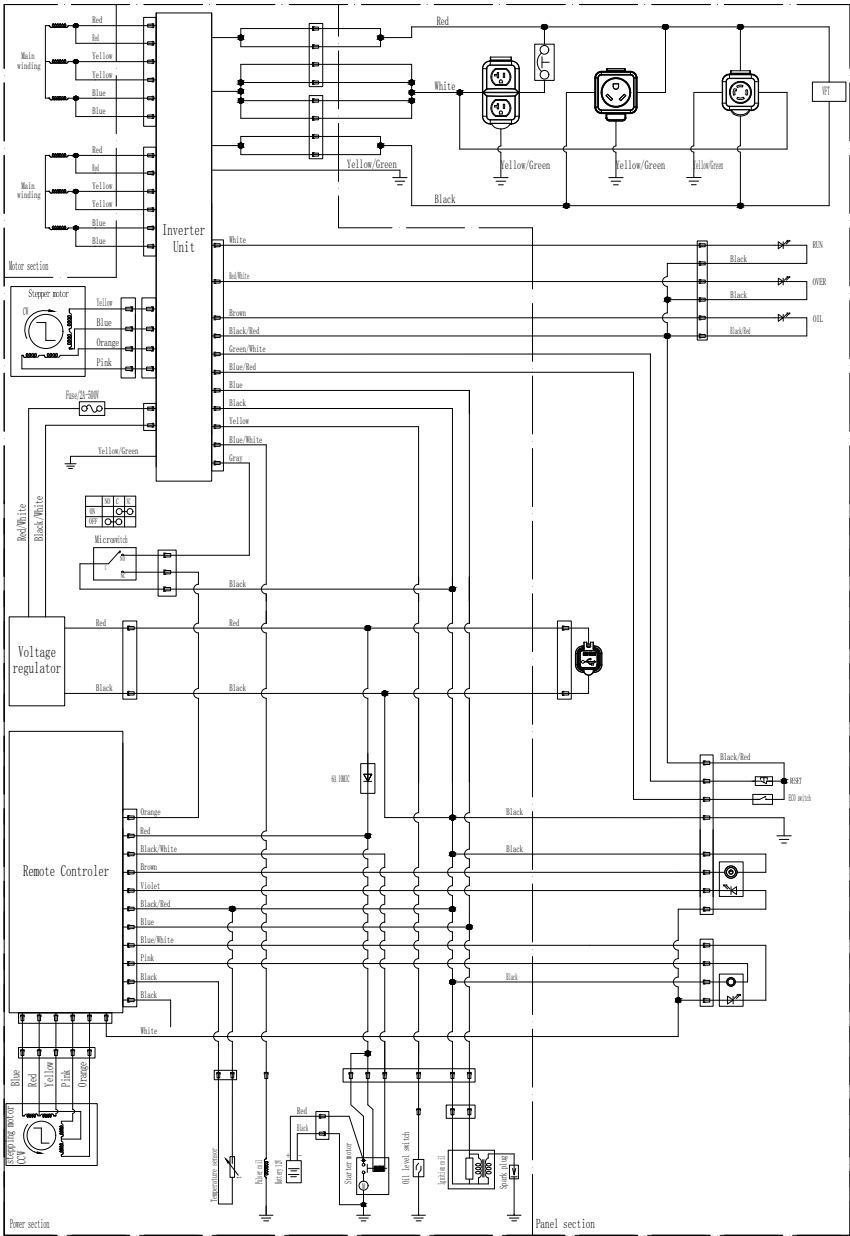
Model		RVMP-220476	RVMP-220476-R
Feature			
Engine parameter	Engine model	GB300E-2	
	Style	OHV, forced cooling, four stroke, single cylinder	
	Displacement (cm ³)	302	
	Ignition system	TCI	
	Start style	Hand recoil or electric starting	
	Oil capacity(L)	0.85	
Series parameter	Frequency(Hz)	60	
	Voltage(V)	120/240	
	Rated power(kW)	5.0	
	Maximum power(kW)	5.5	
	Power factor	1	
	Insulation rate	F	
	Fuel capacity(L)	13.5	
	Operating temperature(°C)	-10~40	
	Max. site altitude of installation(m)	1500	
	Measured sound pressure level(dB(A))	≤ 74	
	Measurement uncertainty(dB(A))	≤ 1.5	
	Guaranteed sound power level(dB(A))	≤ 95	
	Net weight(kg)	50.5	

Note: The generating set with different specification and configurations may have different parameters and may change at any time without notice.

2. Wiring diagram electric start



Electric (Remote control) starting



Note: This circuit diagram is for reference only due to the generator set condition difference.



FEDERAL EXHAUST AND EVAPORATIVE EMISSIONS CONTROL WARRANTY STATEMENT

YOUR WARRANTY RIGHTS AND OBLIGATIONS

The United States Environmental Protection Agency (EPA) and RV Mobile Power, LLC. (RVMP) are pleased to explain the exhaust and evaporative emissions ("emissions") control system's warranty on your **2023** small off-road engine or equipment (SORE). New equipment that use small off-road engines must be designed, built, and equipped to meet the State's stringent anti-smog standards. RVMP must warrant the emissions control system on your SORE for the periods of time listed below provided there has been no abuse, neglect or improper maintenance of your small off-road engine or equipment leading to the failure of the emissions control system.

Your emissions control system may include parts such as the carburetor or fuel-injection system, the ignition system, catalytic converter, fuel tanks, fuel lines (for liquid fuel and fuel vapors), fuel caps, valves, canisters, filters, clamps and other associated components. Also included may be hoses, belts, connectors, and other emission-related assemblies.

Where a warrantable condition exists, RVMP will repair your SORE at no cost to you including diagnosis, parts and labor.

MANUFACTURER'S WARRANTY COVERAGE:

This exhaust and evaporative emissions control system on your SORE is warranted for two years. If any emissions-related part on your SORE is defective, the part will be repaired or replaced by RVMP.

OWNER'S WARRANTY RESPONSIBILITIES:

As the SORE owner, you are responsible for performance of the required maintenance listed in your owner's manual. RVMP recommends that you retain all receipts covering maintenance on your SORE, but RVMP cannot deny warranty coverage solely for the lack of receipts or for your failure to ensure the performance of all scheduled maintenance.

As the SORE owner, you should however be aware that RVMP may deny your warranty coverage if your SORE or a part has failed due to abuse, neglect, or improper maintenance or unapproved modifications.

You are responsible for presenting your SORE to a RVMP distribution center or service center as soon as the problem exists. The warranty repairs shall be completed in a reasonable amount of time, not to exceed 30 days.

If you have any questions regarding your warranty rights and responsibilities, you should contact RV Mobile Power, LLC. at 1-855-427-7978 or email to support@rvmp.co or <http://www.rvmp.co>.

DEFECTS WARRANTY REQUIREMENTS:

(a) Applicability. This section applies to emissions control systems on small off-road engines or equipment that use small off-road engines subject to the emission standards in this Article. The warranty period begins on the date the engine or equipment is delivered to an ultimate purchaser.

(b) General Emissions Warranty Coverage. The engine or equipment must be warranted to the ultimate purchaser and any subsequent owner that the emissions control system when installed was:

- (1) Designed, built, and equipped so as to conform with all applicable regulations; and
- (2) Free from defects in materials and workmanship that causes the failure of a warranted part for a period of two years.

(c) The warranty on emissions-related parts will be interpreted as follows:

- (1) Any warranted part that is not scheduled for replacement as required maintenance in the written instructions furnished with each new engine or equipment must be warranted for the warranty period defined in subsection (b)(2). If any such part fails during the period of warranty coverage, it must be repaired or replaced by RVMP according to subsection (4) below. Any such part repaired or replaced under the warranty must be warranted for a time not less than the remaining warranty period.
- (2) Any warranted part that is scheduled only for regular inspection in the written instructions furnished with each new engine or equipment must be warranted for the warranty period defined in subsection (b)(2). A statement in such written instructions to the effect of "repair or replace as necessary" shall advise owners of the warranty coverage for emissions related parts. Replacement within the warranty period is covered by the warranty and will not reduce the period of warranty coverage. Any such part repaired or replaced under warranty must be warranted for a time not less than the remaining warranty period.
- (3) Any warranted part that is scheduled for replacement as required maintenance in the written instructions

furnished with each new engine or equipment must be warranted for the period of time prior to the first scheduled replacement point for that part. If the part fails prior to the first scheduled replacement, the part must be repaired or replaced by the manufacturer according to subsection (4) below. Any such part repaired or replaced under warranty must be warranted for a time not less than the remainder of the period prior to the first scheduled replacement point for the part.

(4) Repair or replacement of any warranted part under the warranty provisions of this article must be performed at no charge to the owner at a warranty station.

(5) Notwithstanding the provisions of subsection (4) above, warranty services or repairs must be provided at distribution centers that are franchised to service the subject engines or equipment.

(6) The owner must not be charged for diagnostic labor that leads to the determination that a warranted part is in fact defective, provided that such diagnostic work is performed at a warranty station.

(7) Throughout the emissions control system's warranty period set out in subsection (b)(2), RVMP must maintain a supply of warranted parts sufficient to meet the expected demand for such parts and must obtain additional parts if that supply is exhausted.

(8) Manufacturer-approved replacement parts that do not increase the exhaust or evaporative emissions of the engine or evaporative emission system must be used in the performance of any warranty maintenance or repairs and must be provided without charge to the owner. Such use will not reduce the warranty obligations of RVMP.

(9) The use of add-on or modified parts may be grounds for disallowing a warranty claim made in accordance with this Article. RVMP will not be liable under this Article to warrant failures of warranted parts caused by the use of an add-on or modified part.

(10) RVMP shall provide any documents that describe RVMP's warranty procedures or policies within five working days of request by the Executive Officer.

(d) A list of all emissions warranty parts must be included with each new engine or equipment subject to this Article. The emissions warranty parts list shall include all parts whose failure would increase exhaust or evaporative emissions, and contains the following parts (if applicable):

(1) Fuel Metering System

- Carburetor and internal parts (and/or pressure regulator or fuel injection system).
- Air/fuel ratio feedback and control system.
- Cold start enrichment system.

(2) Air Induction System

- Controlled hot air intake system.
- Intake manifold.
- Air filter.

(3) Ignition System

- Spark Plugs.
- Magneto or electronic ignition system.
- Spark advance/retard system.

(4) Exhaust Gas Recirculation (EGR) System

- EGR valve body, and carburetor spacer if applicable.
- EGR rate feedback and control system.

(5) Air injection System

- Air pump or pulse valve.
- Valves affecting distribution of flow.
- Distribution manifold.

(6) Catalyst or Thermal Reactor System

- Catalytic converter.
- Thermal reactor.
- Exhaust manifold.

(7) Particulate Controls

- Traps, filters, precipitators, and any other device used to capture particulate emissions.

(8) Miscellaneous items Used in Above Systems

- Vacuum, temperature, and time sensitive valves and switches.
- Electronic controls.
- Hoses, belts, connectors, and assemblies.

(9) Evaporative Controls

- Fuel Tank
- Fuel Cap
- Fuel Lines (for liquid fuel and fuel vapors)
- Fuel Line Fittings
- Clamps**
- Pressure Relief Valves**
- Control Valves**
- Control Solenoids**
- Electronic Controls**
- Vacuum Control Diaphragms**
- Control Cables**
- Control Linkages**
- Purge Valves
- Gaskets
- Liquid/Vapor Separator
- Carbon Canister
- Canister Mounting Brackets
- Carburetor Purge Port Connector

**Note: As they relate to the evaporative emission control system.

Note: Any other warranty statements apply to engines or equipment units shall not limit the emissions warranty period (two years) or its applicability to subsequent owners after the ultimate purchaser.

Phone: (855) HAPPYRV

Email: support@rvmp.co

Manuals: <https://rvmp.co/manuals>

Visit rvmp.co • Copyright© 2022–2023 RV Mobile Power, LLC. – All Rights Reserved.



RV MOBILE POWER, LLC

Phone: (855) HAPPYRV Email: support@rvmp.co

www.rvmp.co